



COMMERCIAL LAUNDRY EQUIPMENT

UL CHEST HEATED IRONERS

with optional feeder, folder, cross folder & stacker

UL 300 - UL 370 - UL/UFS 500 - UL/UFS 600 - UL/UFS 800



UL

Chest heated ironers

01 UL 300



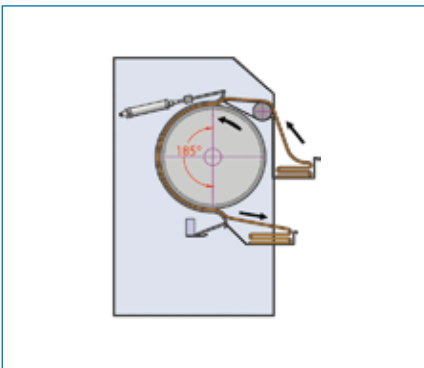
- The most compact chest heated ironer available on the market with pass-through feature
- Roll diameter: Ø 300
- Working width: 1800 mm
- Flexible chest
- Heating option: electric
- Frequency inverter: variable ironing speed
- Linen return: "pass through" or "return feed"

02 UL 370 / 500 / 600 / 800



- Medium to high capacity chest heated ironers with flexible chest
- Available roll diameter:
Ø 370 / Ø 500 - Ø 600 / Ø 800
- Available working widths:
1750 / 2000 / 2200 / 2500 / 3000 / 3300 mm
- Heating options: electric / gas / steam
- Frequency inverter: variable ironing speed
- Linen return: "pass through" or "return feed"
- Optionally available: feeding and/or folding

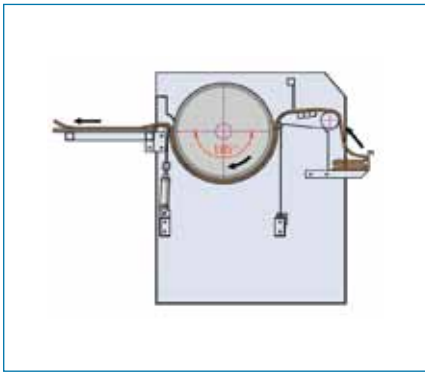
03 'Return feed'-principle



- Possibility for installation against a wall: space-saving
- Possibility for 1 person to operate the ironer
- Standard on UL300 / 370 / 500
- Optional on UL600 / 800

Model
UL300
UL370
UL500
UL600
UL800

04 'Pass-through'-principle



- 70 cm-deep delivery table at the back of the ironer
- Higher productivity
- Standard available on UL600/800
- Optionally available on UL500

05 Roll

- Made out of perforated steel with springs and clothed with polyester needlefelt
- Perfect contact with chest thanks to the 'flexible chest'-principle
- Strong construction for resisting pressure
- 12 mm galvanized springs + 2 layers beveled PES padding (option: Nomex padding)
- Variable speeds thanks to frequency inverter
- Ventilation holes over the entire length: optimal moisture removal

06 Control

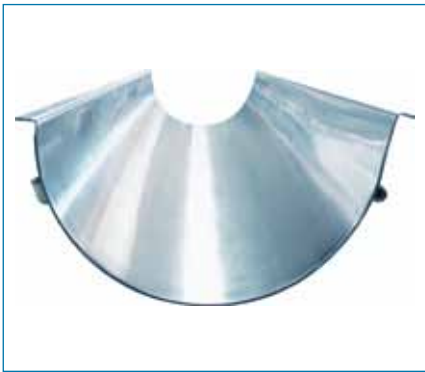


- Variable speed - frequency inverter drive
- Variable temperature setting with digital indication

UL

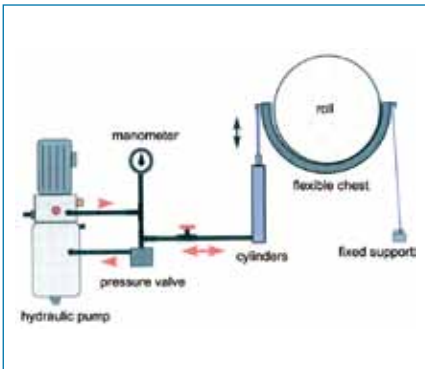
Chest heated ironers

07 Flexible chest



- One single piece, laser-welded
- Heated by circulation of thermal oil or direct steam
- 100% contact of the chest
- 190° surface circumference of the roll

08 Hydraulic pressing of the chest



- Fully adjustable & constant pressure between chest & roll thanks to an integrated hydraulic pump
- Optimal contact between chest & roll
- Better ironing results
- Maximum efficiency - higher productivity

09 Chest heating



Left side of gas-heated UL370



Left side of electric heated UL370

- Gas & Electric heating:
 - Heating through thermal oil flow (closed circuit exchanger)
 - Equal T° over the entire width of the chest
 - Very slow heat loss and fast build-up of the T°
 - High production by constant temperature
 - Very high efficiency
 - Easy installation and start-up
 - Available on all UL-models, except UL300 (only electric heating)
- Steam heating:
 - Direct steam from external supply
 - Flex chest : 2 layers of steel (bended & robot-welded)
 - Available on UL370 / 600 / 800

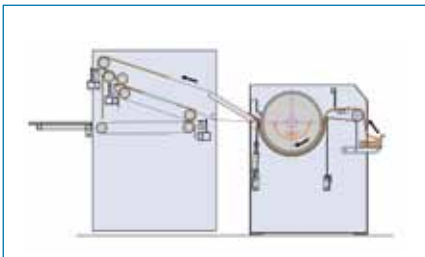
Model
UL300
UL370
UL500
UL600
UL800

10 “Easy Clamp” feeding system



- Optionally available on UL600 / 800 with “pass-through”-feature
- Clamping by air-pressure: efficient and reliable compared with spring activated clamps
- Automatic spreading by clamps after introduction of corners. No need to activate the clamps by button
- Programmable clamp action, speed, pressure, timing between pieces
- Programmable elasticity of the linen in order to ensure flat and precise feeding. The clamps will compensate the elasticity of the linen accordingly
- Spreader brushes
 - Vertical brushes (1 set)
 - Move up and down
 - Non abrasive contact
 - Retractable for small piece

11 UL-Fold: longfold machine



Set-up of UL-Fold behind pass-through ironer

- Can be installed behind every ‘pass-through’-ironer (cylinder or chest heated)
- Depth of UL-Fold & folding table = 2230mm
 - Minimal use of floor space needed
- Up to 3 primary folds in 1 to 4 lanes
- Fast ROI
 - Man-power saving
- Automatic speed synchronization with UL-ironer
- Delivery table with depth of 600mm
- Freely programmable microprocessor
 - Up to 20 programmes
 - Can be programmed to work in sorted or non-sorted batches

UFFFS

Chest heated ironers with integrated feeding, ironing, folding & stacking

01 UFFS



- Chest heated ironers with integrated feeder, folder, cross folder and stacker
- Roll diameter: Ø 500, 600 or 800
- Standard working width of 2000 mm
- Optional working widths of 2500 mm, 3000 mm or 3300 mm
- Possibility for 1 person to operate the ironer
- High quality ironing
- Insulating hood & finger guard

02 Microprocessor control



- Touch screen (25cm diameter)
- Possibility to programme up to 30 programmes. The settings depend on the type of linen:
 - Speed
 - T°
 - Pressure & time air-jets
 - Tension clamps
 - Elasticity sheet
 - Lengths
 - Widths
 - Stacked height
- Logging of errors (e.g. low pressure, hydraulics, gas, air pressure, etc)
- Possibility to consult statistics (e.g. energy consumption, piece counter, padding change, etc)

03 Stacker



- Output towards operator
- Stacking programmable per units

Model
UFFS500
UFFS600
UFFS800

04 Cross-folding

- 1st cross fold by airblast
- 2nd fold by mechanical fold
- 3rd fold by flip-and-stack
- Automatic folding according the program: 2 or 3 folds

05 Length folding:

- Length-fold by airblast : programmable air-pressure for accurate blasting
- Choice selfedge: in- or outward (2 lengthfold)
- Automatic folding: according the program: 1, 2 or 3 lengthfolds
- Reject by-pass for dirty- or ripped pieces

06 “Easy Clamp” feeding system

- Clamping by air-pressure: efficient and reliable compared with spring activated clamps
- Automatic spreading by clamps after introduction of corners. No need to activate the clamps by button
- Programmable clamp action, speed, pressure, timing between pieces
- Programmable elasticity of the linen in order to ensure flat and precise feeding. The clamps will compensate the elasticity of the linen accordingly
- Spreader brushes
 - Vertical brushes (1 set)
 - Move up and down
 - Non abrasive contact
 - Retractable for small piece
 - Tension clamps



Technical Specifications UL

		UL300	UL370						
Roll	Diameter (mm)	300	370						
Chest	Length (mm)	500	664						
	Width (mm)	1800	1750	2000	2200	2500	3000	1750	2000
	Surface (m²)	0,90	1,16	1,33	1,46	1,66	1,99	1,53	1,75
Ironing speed	Normal speed (m/min)	1 - 4	1 - 3						
	High speed (optional) (m/min)	-	1,6 - 5,6						
Average output/production (elec & gas)	50% Residual Moisture (kg/hour)	30	48	54	60	67	81	65	75
	45% RM (kg/hour)	33,33	53,3	60	66,7	74,4	90	72,2	83,3
	25% RM (kg/hour)	60	96	108	120	134	162	130	150
	Evaporation* (liter H²O/hour)	15	24	27	30	33,5	40,5	32,5	37,5
Average output/production (steam)	50% Residual Moisture (kg/hour)	-	-	-	-	-	-	60	70
	45% RM (kg/hour)	-	-	-	-	-	-	66,7	77,8
	25% RM (kg/hour)	-	-	-	-	-	-	120	140
	Evaporation* (liter H²O/hour)	-	-	-	-	-	-	30	35
Operation	Maximum width of linen	Wide of chest -2%	Wide of chest -2%						
	Maximum temperature (C°)	185	200						
	Minimum temperature (C°)	150	150						
	Table Height (pass through)	925	915						
Electric heating	Fan motor (kW / rpm)	0,034 / 2550	0,25 / 2830						
	Roll motor (kW / rpm)	0,18 / 1380	0,18 / 1350						
	Roll motor (high speed option) (rpm)	-	0,37 / 1350						
	Hydraulic pump motor (rpm)	-	0,37 / 1375						
	Oil Circulation pump (kW / rpm)	-	2,2 / 2880						
	Heating (kW)	15	30	30	30	35	40	30	30
	Voltage	380-400V/50Hz/3 + N	380-400V/50Hz/3 + N						
	Amps electric heating (A)	25	50	50	50	63	63	50	50
Gas heating	Gas inlet (inch)	-	1/2						
	Exhaust (mm)	-	90						
	Gas pressure (mbar)	-	20						
	Consumption (kW/hour)	-	17	19	22	24	29	23	27
	Consumption (kcal/hour)	-	14.862	16.720	18.578	20.746	25.080	20.126	23.223
	Amps gas heating (A)	-	16	16	16	16	16	16	16
Steam heating	Steam pressure	-	-	-	-	-	-	-	-
	Steam connection	-	-	-	-	-	-	-	-
	Condense connection	-	-	-	-	-	-	-	-
	Consumption @ 12bar (kg/hour)	-	-	-	-	-	-	52,8	61,6
	Consumption @ 10bar (kg/hour)	-	-	-	-	-	-	48	56
	Consumption @ 8bar (kg/hour)	-	-	-	-	-	-	43,2	50,4
	Consumption @ 6bar (kg/hour)	-	-	-	-	-	-	38,9	45,4
	Amps steam heating (A)	-	-	-	-	-	-	16	16
Dimensions	Height (mm)	1150	1200	1200	1200	1200	1200	1200	1200
	Width (mm)	2255	2474	2724	2924	3224	3724	2600	2850
	Depth pass-through model (mm)	1399	1520	1520	1520	1520	1520	1715	1715
	Depth return feed model (mm)	815	1170	1170	1170	1170	1170	1195	1195
Packing dimensions	Height (mm)	1250	1300	1300	1300	1300	1300	1300	1300
	Width (mm)	2350	2574	2824	3024	3324	3824	2700	2950
	Depth (mm)	800	1050	1050	1050	1050	1050	1195	1195
	Volume (m³)	2,35	3,51	3,85	4,13	4,54	5,22	4,19	4,58
Weight	Nett (kg)	250	700	782	862	983	1203	1000	1200
	Gross (kg)	270	730	812	892	1013	1233	1030	1230

* Standard testing values: 180gr/m², 50% Humidity, 50/50 Poly-cotton sheets, 80% use of the machine

All specifications subject to change without notice

UL500				UL600						UL800					
500				600						800					
873				950						1440					
2200	2500	3000	3300	1750	2000	2200	2500	3000	3300	1750	2000	2200	2500	3000	3300
1,92	2,18	2,62	2,88	1,66	1,90	2,09	2,38	2,85	3,14	2,52	2,88	3,17	3,60	4,32	4,75
1,5 - 5,2				1,5 - 6,5						4,5 - 13,25					
3,5 - 12				1,5 - 14						3 - 16					
82	95	115	125	100	109	126	140	160	175	152	164	186	200	230	250
91,1	105,6	127,8	138,9	111,1	121,1	140	155,6	177,8	194,4	168,9	182,2	206,7	222,2	255,6	277,8
164	190	230	250	200	218	252	280	320	350	304	328	372	400	460	500
41	47,5	57,5	62,5	50	54,5	63	70	80	87,5	76	82	93	100	115	125
74	86	104	114	109	130	132	140	160	175	186	200	202	216	230	250
82,2	95,6	115,6	126,7	121,1	144,4	146,7	155,6	177,8	194,4	206,7	222,2	224,4	240,0	255,6	277,8
148	172	208	228	218	260	264	280	320	350	372	400	404	432	460	500
37	43	52	57	54,5	65	66	70	80	87,5	93	100	101	108	115	125
Wide of chest -2%				Wide of chest -2%						Wide of chest -2%					
200				200						200					
150				150						150					
915				1045						1030					
0,25 / 2830				0,75 / 2840						0,75 / 2840					
0,37 / 1370				1,5 / 1390						2,2 / 1410					
1,5 / 1390				2,2 / 1410						4 / 1430					
0,37 / 1375				0,37 / 1375						0,37 / 1375					
2,2 / 2880				2,2 / 2880						3 / 2890					
35	40	45	45	45	45	45	50	60	75	60	60	60	75	90	90
380-400V/50Hz/3 + N				380-400V/50Hz/3 + N						380-400V/50Hz/3 + N					
63	63	80	80	80	80	80	80	100	125	100	100	100	125	160	160
1/2				3/4						3/4					
90				120						120					
20				20						20					
30	34	41	45	36	39	45	50	58	63	76	82	93	100	115	125
25.390	29.415	35.608	38.704	30.963	33.750	39.014	43.349	49.542	54.186	65.171	70.316	79.749	85.752	98.614	107.189
16	16	16	16	40	40	40	40	40	40	40	40	40	40	40	40
min 6 bar - max 12 bar				min 6 bar - max 12 bar						min 6 bar - max 12 bar					
5/4"				5/4"						6/4"					
3/4"				3/4"						1"					
65,1	75,7	91,5	100,3	95,9	114,4	116,2	123,2	140,8	154	163,7	176	177,8	190,1	202,4	220
59,2	68,8	83,2	91,2	87,2	104	105,6	112	128	140	148,8	160	161,6	172,8	184	200
53,3	61,9	74,9	82,1	78,5	93,6	95	100,8	115,2	126	133,9	144	145,4	155,5	165,6	180
48	55,7	67,4	73,9	70,6	84,2	85,5	90,7	103,7	113,4	120,5	129,6	130,9	140	149	162
16	16	16	16	16	16	16	16	16	16	16	16	16	16	16	16
1200	1200	1200	1200	1395	1395	1395	1395	1395	1395	1415	1415	1415	1415	1415	1415
3050	3350	3850	4150	2725	2975	3175	3475	3975	4275	2910	3160	3360	3660	4160	4460
1715	1715	1715	1715	1900	1900	1900	1900	1900	1900	2035	2035	2035	2035	2035	2035
1195	1195	1195	1195	1900	1900	1900	1900	1900	1900	2035	2035	2035	2035	2035	2035
1300	1300	1300	1300	1495	1495	1495	1495	1495	1495	1515	1515	1515	1515	1515	1515
3150	3450	3950	4250	2825	3075	3275	3575	4075	4375	3010	3260	3460	3760	4260	4560
1195	1195	1195	1195	1595	1595	1595	1595	1595	1595	1755	1755	1755	1755	1755	1755
4,89	5,36	6,14	6,60	6,74	7,33	7,81	8,52	9,72	10,43	8,00	8,67	9,20	10,00	11,33	12,12
1270	1350	1475	1600	1800	2000	2200	2400	2600	2900	2000	2200	2600	2800	3100	3400
1300	1380	1505	1630	1830	2030	2230	2430	2630	2930	2030	2230	2630	2830	3130	3430

		UFFS 500				UFFS 600				UFFS 800			
Roll	Diameter (mm)	500				600				800			
Chest	Length (mm)	873				950				1440			
	Width (mm)	2000	2500	3000	3300	2000	2500	3000	3300	2000	2500	3000	3300
Ironing speed	Minimum (m/min)	1,5				1,5				1,5			
	Maximum (m/min)	5 - 12				6,5 - 14				12 - 16			
Average output/production	50% Residual Moisture (kg/hour)	75	95	115	125	109	140	160	175	160	200	230	250
Operation	Maximum width of linen	Wide of chest -2%				Wide of chest -2%				Wide of chest -2%			
	Minimum temperature (C°)	150				150				150			
	Maximum temperature (C°) for polyester	175				175				175			
	Maximum temperature (C°) for nomex	190				190				190			
Electric heating	Fan motor (kW)	0,25				0,25				0,75			
	Roll motor (kW)	0,75				1,5				2,2			
	Roll motor (high speed option) (kW)	1,5				2,2				4			
	Hydraulic pump motor (rpm)	0,37				0,37				0,37			
	Oil Circulation pump (kW / rpm)	2,2				2,2				3			
	Heating (kW)	30	40	45	45	50	50	60	60	75	75	90	90
	220V/50Hz/1	100 A	125 A	125 A	125 A	150 A	150 A	180 A	250 A	80A	250A	250A	250A
	380V/50Hz/3	50 A	63 A	80 A	80 A	80 A	80 A	100 A	125 A	100A	125A	160A	160A
	Gas heating	Pressure gas inlet (mBar)	minimum 20				minimum 20				minimum 20		
	Diameter gas inlet (")	1/2				3/4				3/4			
	gas outlet (m³/h)	90				135				280			
	°C	260				260				260			
	Throughput diameter (mm)	90				125				125			
	220V/50Hz/1	80A				80A				80A			
	380V/50Hz/3	40A				40A				40A			
	Noise level	dB	65				65				65		
Steam outlet	m³/h	650				1200				1400			
	°C (T° 170°C)	100				100				100			
	Throughput diameter (mm)	75				125				125			
Air intake	l/min	450				450				450			
	Diameter (")	1/2				1/2				1/2			
	Pressure (bar)	minimum 6				minimum 6				minimum 6			
Air supply	m³/h	2000				3900				4500			
Dimensions	Height (mm)	1430	1430	1430	1430	1535	1535	1535	1535	1605	1605	1605	1605
	Width (mm)	3830	4330	4830	5130	3955	4455	4955	5155	4145	4645	5145	5445
	Depth (mm)	2155	2155	2155	2155	2480	2480	2480	2480	2480	2480	2480	2480
Packing dimensions	Height (mm)	1500	1500	1500	1500	1675	1675	1675	1675	1745	1745	1745	1745
	Width (mm)	3900	4400	4900	5200	4300	4800	5300	5500	4490	4990	5490	5790
	Depth (mm)	1900	1900	1900	1900	2160	2160	2160	2160	2160	2160	2160	2160
	Volume (m³)	11,12	12,54	13,97	14,82	15,56	17,37	19,18	19,90	16,92	18,81	20,69	21,82
Weight	(kg)	1560	1660	1950	2050	2100	2650	3000	3400	2200	2600	3100	3400

All specifications subject to change without notice

For more detailed technical information
please visit
www.unimac.com/intl



Expert Solutions
from the
Laundry Experts

Alliance International bvba
Nieuwstraat 146
8560 Wevelgem - Belgium
T +32 56 41 20 54
F +32 56 41 86 74
info@alliances.eu